



**The Grazia Collection.**

**NOBILIS®**  
The Best Technology for Water

## Index

03	Intro
04	Overview
12	Collection
14	Dimensions
16	Technology
18	Group

Traditional forms.  
Harmonious creativity.  
Advanced technology.

The Grazia Collection.

The Grazia Collection is available in different kinds of product: traditional washbasin mixer, 3-hole basin mixer, external bath mixer, external shower mixer, thermostatic bath and shower mixer, thermostatic shower column and in the 3 versions of kitchen mixer.

Opposite

3-hole basin mixer

GRC5011/1 CR

Available finishes

CR Chrome

BR Bronze



Opposite

3-hole basin mixer

GRC5012/1 CR

Available finishes

CR Chrome

BR Bronze



Opposite

External bath / shower mixer

GRC5001/1 CR

Available finishes

CR Chrome

BR Bronze

Pillar floor legs

AV00151/10 CR

Available finishes

CR Chrome

BR Bronze



Opposite

Single hole sink mixer

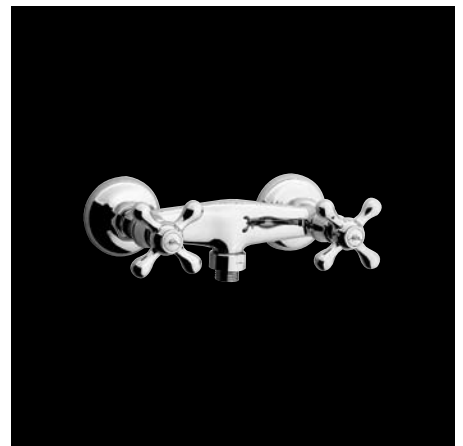
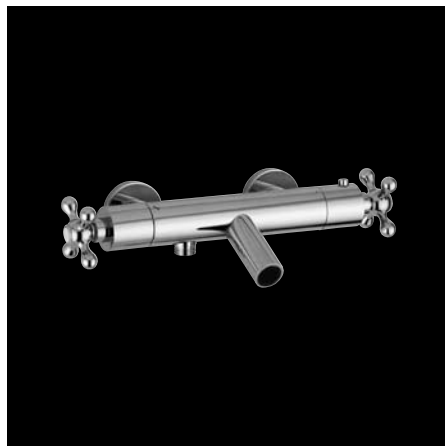
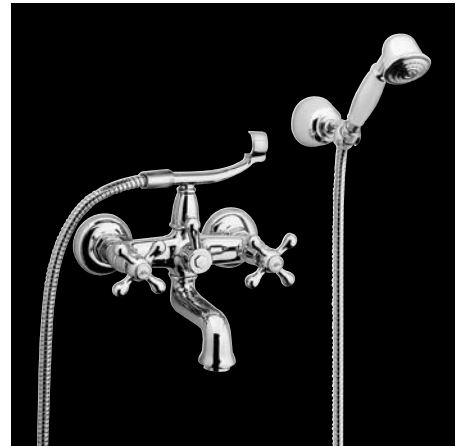
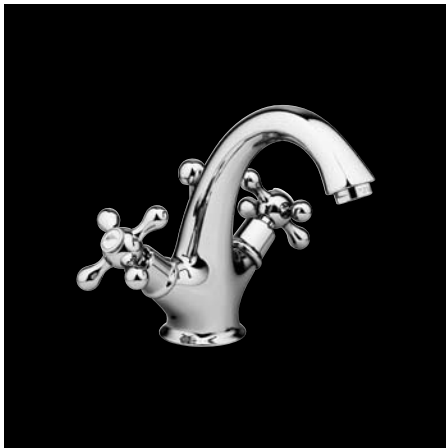
GRC5117 CR

Available finishes

CR Chrome

BR Bronze





GRC5118/6 CR  
Single hole basin mixer, anti-limestone aerator  
M 24 x 1, waste 1 1/4",  $\varnothing$  3/8" stainless steel flexible  
hoses.

GRC5011/1 CR  
3-hole basin mixer, anti-limestone aerator  
M 24 x 1, waste 1 1/4".

GRC5012/1 CR  
3-hole basin mixer, swivel spout, antilimestone  
aerator M 22 x 1, waste 1 1/4".

GRC5119/6 CR  
Single hole bidet mixer, adjustable jet,  
anti-limestone aerator M 22 x 1, waste 1 1/4",  
 $\varnothing$  3/8" stainless steel flexible hoses.

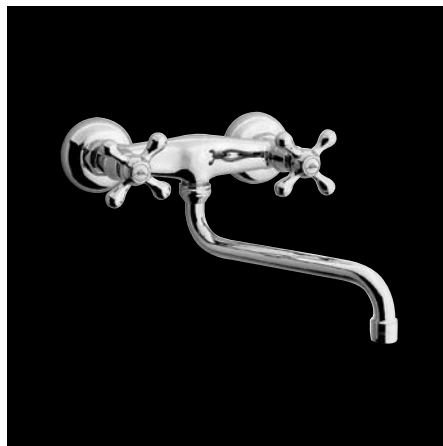
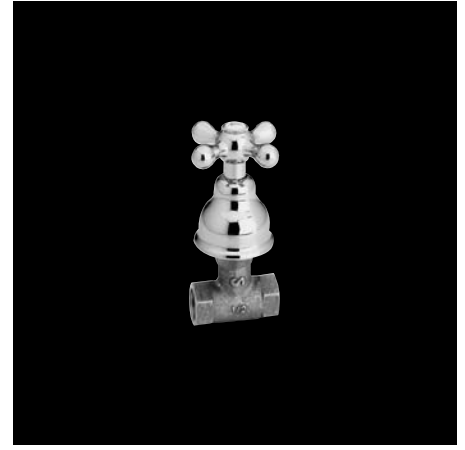
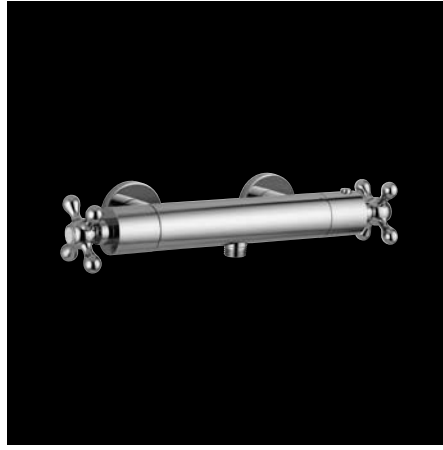
GRC5015/1 CR  
3-hole bidet mixer, lateral flow, waste 1 1/4".

GRC5001/1 CR  
External bath / shower mixer, wheelbase 150  $\pm$  25,  
manual diverter, anti-limestone aerator M 28 x 1,  
1-jet hand-shower, adjustable support.

GRC00010/2 CR  
External bath / shower thermostatic mixer,  
safety block at 38°C, anti-limestone aerator  
M 24 x 1, 1-jet hand-shower.

GRC00010 CR  
External bath / shower thermostatic mixer,  
safety block at 38°C, anti-limestone aerator  
M 24 x 1, 1/2" connection.

GRC5003/1 CR  
External shower mixer, wheelbase 150  $\pm$  25,  
1/2" connection.



GRC00030/2 CR  
External shower thermostatic mixer wheelbase  
150 ± 20, safety block at 38°C, 1-jet hand-shower.

GRC00030 CR  
External shower thermostatic mixer wheelbase  
150 ± 20, safety block at 38°C, 1/2" connection.

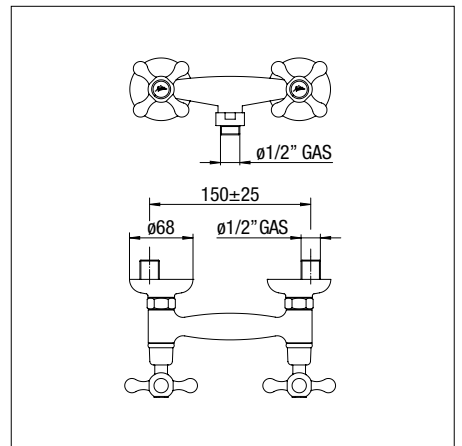
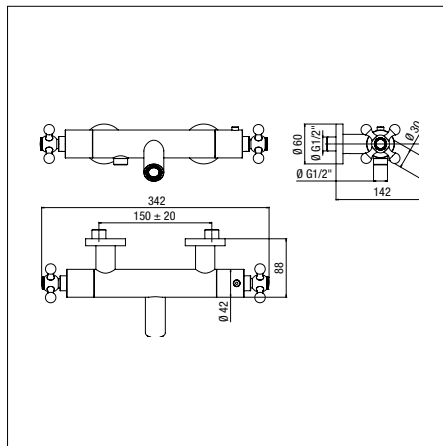
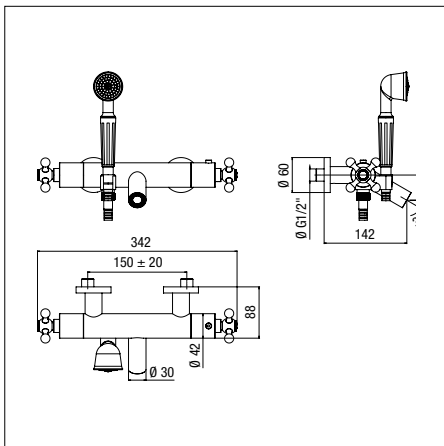
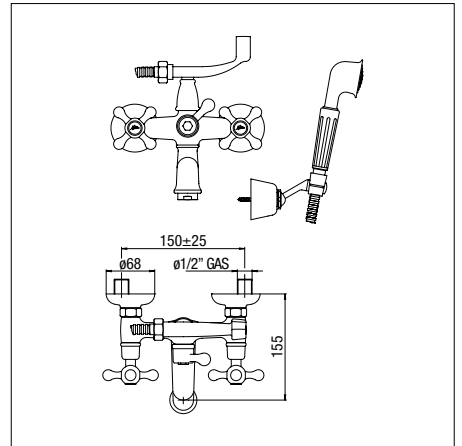
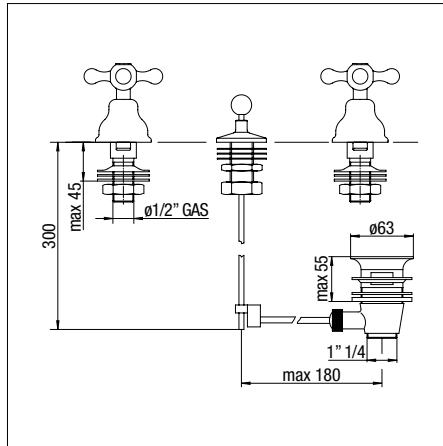
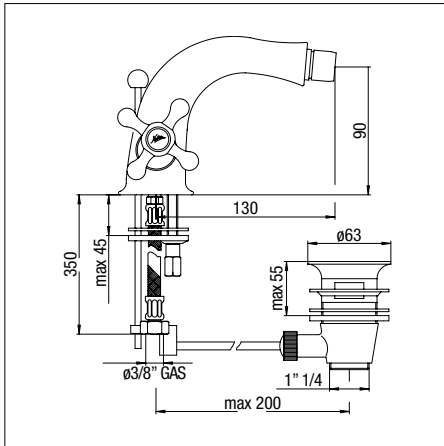
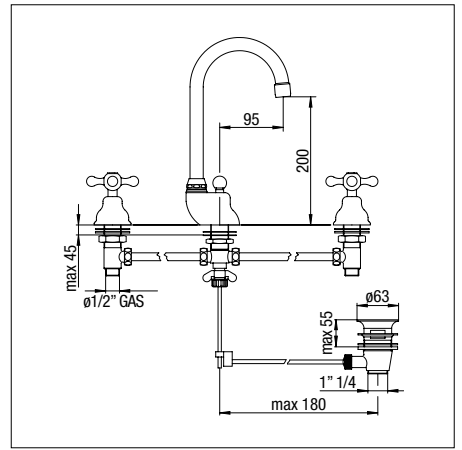
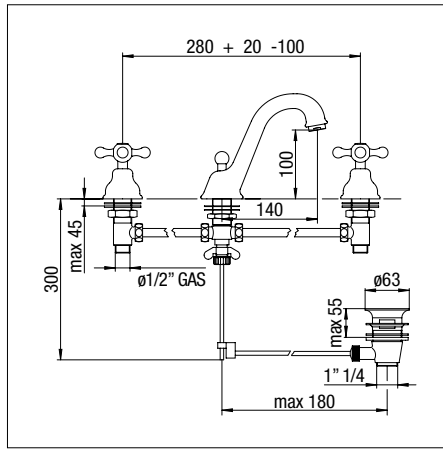
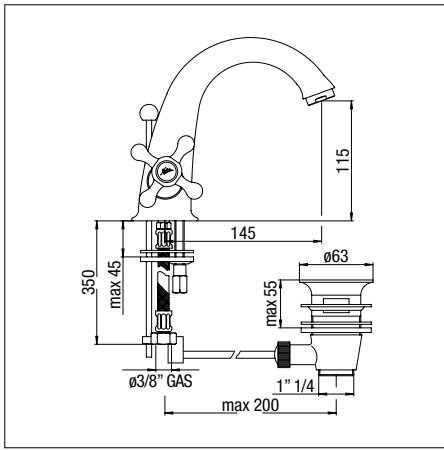
GRC5008/1 CR  
1/2" built-in stopcock.

GRC00030/30 CR  
External shower thermostatic mixer wheelbase  
150 ± 20, safety block at 38°C, shower head  
ø 200 mm, 1-jet hand-shower, adjustable support.

GRC5117 CR  
Single hole sink mixer, swivel spout, anti-limestone  
aerator M 22 x 1, ø 3/8" stainless steel flexible hoses.

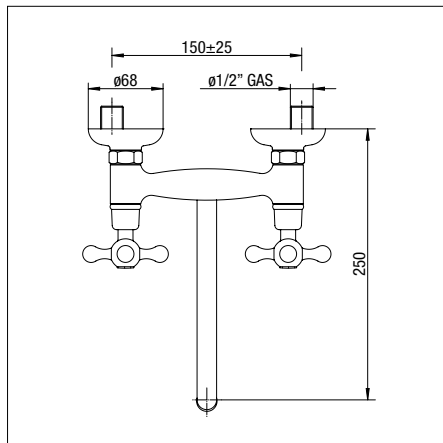
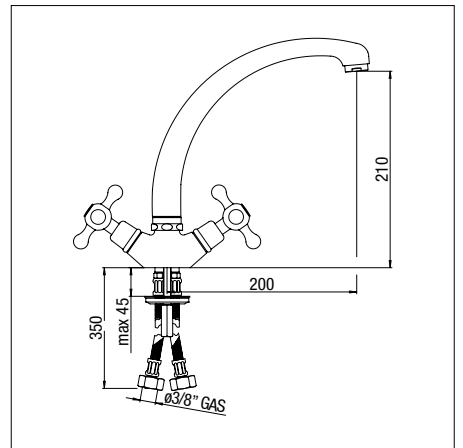
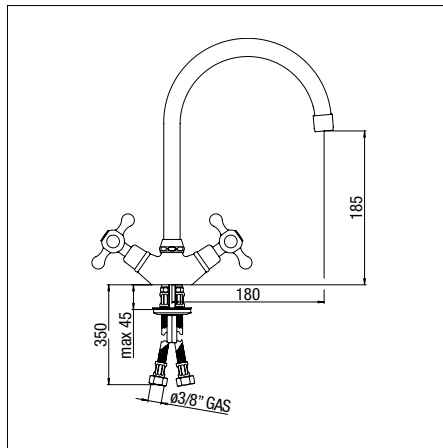
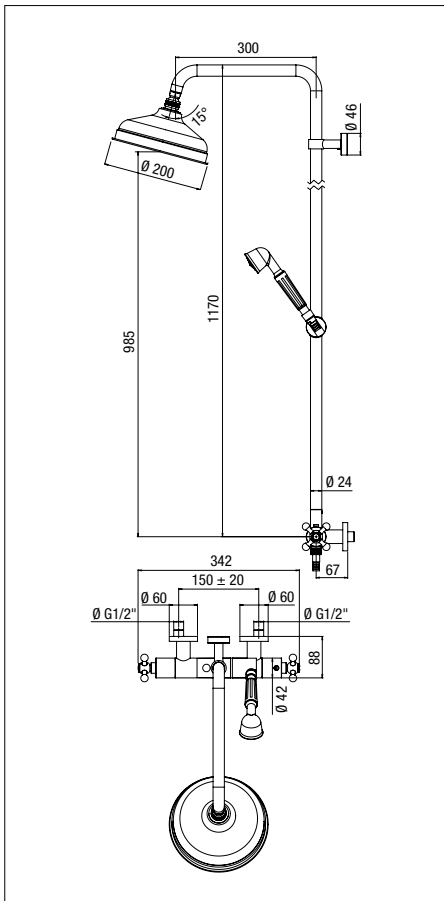
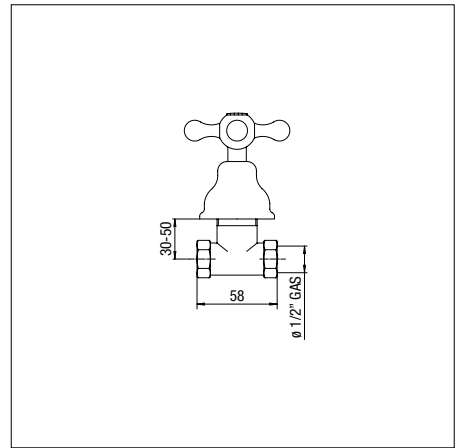
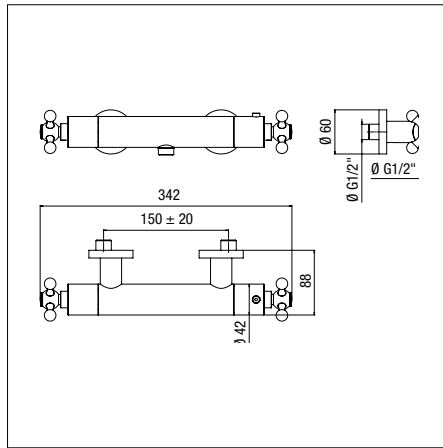
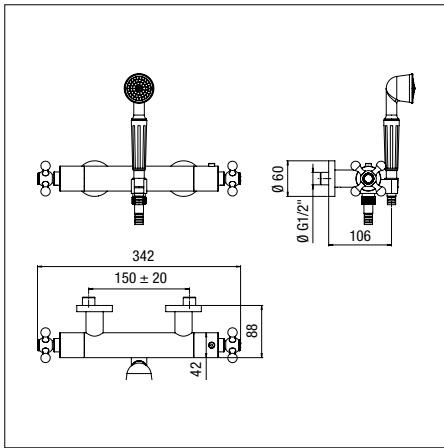
GRC5117/5 CR  
Single hole sink mixer, swivel spout, anti-limestone  
aerator M 24 x 1, ø 3/8" stainless steel flexible hoses.

GRC5003 CR  
External sink mixer, wheelbase 150 ± 25, swivel  
spout, anti-limestone aerator M 22 x 1.



- |            |           |           |
|------------|-----------|-----------|
| GRC5118/6  | GRC5011/1 | GRC5012/1 |
| GRC5119/6  | GRC5015/1 | GRC5001/1 |
| GRC00010/2 | GRC00010  | GRC5003/1 |

Dimensions are expressed in mm.



- GRC00030/2    GRC00030    GRC5008/1
- GRC00030/30    GRC5117    GRC5117/5
- GRC5003

Dimensions are expressed in mm.

- The ceramic headwork that regulates the water flow is realized with materials, process and clever device so to grant a smooth handling and a major life time when working at high temperatures.
- As for further improvements of product quality level, the components are submit to an annealing thermic treatment that allows to obtain a major homogeneity of material.
- Best care is reserved to OR and base washer, that are made from alimentary rubber, therefore with mixtures to stand wear and tear and also resistant to high temperature, in order to not undergo to dimensional modification in time.
- Valuable element, the Cascade® aerator maintains a full and dense water supply, in every kind of condition. In order to reduce wastage of water you can ask for a different aerator which limits the waterflow.
- Listen to the sound of water. It is often an underestimated element, but a distinctive mark for Nobili. The excellent connection of the mechanical parts assures a great acoustic comfort.
- Notice the bright finish of Nobili mixers. Smooth and shiny surfaces are provided by our chrome plating values, decidedly higher with respect to the standard: 15.0 µm Nickel and 0.5 µm Chrome.

Every day, engineers researchers and technicians conceive and test our technology. We imagine the finished product as it was an organism, an harmonious whole of various components. A sound of perfect synchrony. Nothing is left up to fate. Even the smallest and most hidden element is worth our full attention. It is important, whatever its function. Each component is treated in detail by people who love their profession. Different people operate on different parts. Every specific detail must be simple, realiable, beautiful, inside and outside. For these reasons we are sure that Nobili product is extraordinary. Downright.





Established away back in 1954, Carlo Nobili Rubinetterie is today a modern Company with high quality standards, one of a kind among the international taps and mixers producers worldwide, and attentive to the market and the people's needs. The production space consists of three hundred and fifty thousand square meters, fifty thousand indoor, ten production plants, two hundred million euro made in last year's turnover. More than sixty series in the catalogue, all of them conceived and produced in the three hundred in-house machining centers, with the care and the passion reserved for precious items, in full compliance with "Made in Italy". In the world nothing great has been created without passion, the same passion that makes us think about innovation, every day. Eight international patents obtained in the last five years, ten worldwide reputed designers, who cooperate with Nobili Centro Stile. Professionalism, know-how, flexibility and promptness: a quick prototyping center allows us to continuously study new forms and get the most out of the material. Without wastes. The three eco-compatible galvanic system are equipped in compliance with the most restrictive anti-pollution norms. A product that was studied to improve the quality of life cannot exist if it ruins the world we live in. Right and proper. All this is Nobili. Follow us.

Concept, script, art direction: Centro Stile Nobili

Teknobili Collection  
Design: Centro Stile Nobili

Carlo Nobili SpA Rubinetterie  
S.S. 229 Km. 19+600, 28019 Suno (No) Italia  
T. +39 0322 885885 / F. +39 0322 858091  
info@nobili-spa.com / www.nobili-spa.com



Respect the environment. Don't throw me away.  
Re-use me or deliver me to a friend.

The images, technical details and characteristics of the models listed in the following brochure are subjected to changes, detailed and substantive, without notice, with the sole aim of further improving the product. Because catalogues are prepared and printed in a certain period of time before the actual distribution of the item, is not always possible to provide detailed descriptions of specific details. You should always check the technical details before purchasing, especially if the choice depends significantly from any of the techniques shown here.

**NOBILIS**®  
The Best Technology for Water

