



**The New Road Collection.
In black and white.**

NOBILIS®
The Best Technology for Water

Single lever basin mixer

RD00118/1 BC

Available finishes

CR Chrome

BC White + Chrome

NC Black + Chrome





Single lever high basin mixer

RD00128/2 NC

Available finishes

CR Chrome

BC White + Chrome

NC Black + Chrome

External bath / shower mixer

RD00110 BC

Available finishes

CR Chrome

BC White + Chrome

NC Black + Chrome





Built-in shower mixer

RD00108 NC

Available finishes

CR Chrome

BC White + Chrome

NC Black + Chrome

Single lever sink mixer

RD00133 BC

Available finishes

CR Chrome

BC White + Chrome

NC Black + Chrome





Single lever sink mixer

RD00134 NC

Available finishes

CR Chrome

BC White + Chrome

NC Black + Chrome



RD00118/1 BC
Single lever basin mixer, anti-limestone aerator M 24 x 1, waste 1 1/4", ø 3/8" stainless steel flexible hoses.

RD00128/2 BC
Single lever high basin mixer, anti-limestone aerator M 24 x 1, waste 1 1/4", ø 3/8" stainless steel flexible hoses.

RD00338/2 BC
Single lever basin mixer, swivel spout, anti-limestone aerator M 22 x 1, waste 1 1/4", ø 3/8" stainless steel flexible hoses.

RD00119/1 BC
Single lever bidet mixer, adjustable jet, anti-limestone aerator M 22 x 1, waste 1 1/4", ø 3/8" stainless steel flexible hoses.

RD00110 BC
External bath / shower mixer, wheelbase 150 ± 20, automatic diverter, anti-limestone aerator M 28 x 1, 1-jet hand shower.

RD00100 BC
Built-in shower mixer, automatic diverter.

RD00133 BC
Single lever sink mixer, swivel spout, anti-limestone aerator M 16 x 1, ø 3/8" stainless steel flexible hoses.

RD00134 BC
Single lever sink mixer, swivel spout, anti-limestone aerator M 16 x 1, ø 3/8" stainless steel flexible hoses.

RD00137/1 BC
Single lever sink mixer, swivel spout, pull-out hand-shower, anti-limestone aerator M 22 x 1, ø 3/8" stainless steel flexible hoses.



RD00108 BC
Built-in shower mixer.

RD00131 BC
Shower column, wheelbase 150 ± 20 , shower head
 $\varnothing 200$ mm.

RD00531 BC
Shower column, wheelbase 150 ± 20 , shower head
 200×200 mm.

RD00130 BC
External shower mixer wheelbase 150 ± 20 ,
 $1/2$ "connection.

RD00300/3 BC
Single lever sink mixer, swivel spout, double-jet
adjustable hand shower, $\varnothing 3/8$ " stainless steel
flexible hoses.



RD00118/1 NC
Single lever basin mixer, anti-limestone aerator
M 24 x 1, waste 1 1/4", \varnothing 3/8" stainless steel flexible
hoses.

RD00128/2 NC
Single lever high basin mixer, anti-limestone aerator
M 24 x 1, waste 1 1/4", \varnothing 3/8" stainless steel flexible
hoses.

RD00338/2 NC
Single lever basin mixer, swivel spout,
anti-limestone aerator M 22 x 1, waste 1 1/4",
 \varnothing 3/8" stainless steel flexible hoses.

RD00119/1 NC
Single lever bidet mixer, adjustable jet,
anti-limestone aerator M 22 x 1, waste 1 1/4",
 \varnothing 3/8" stainless steel flexible hoses.

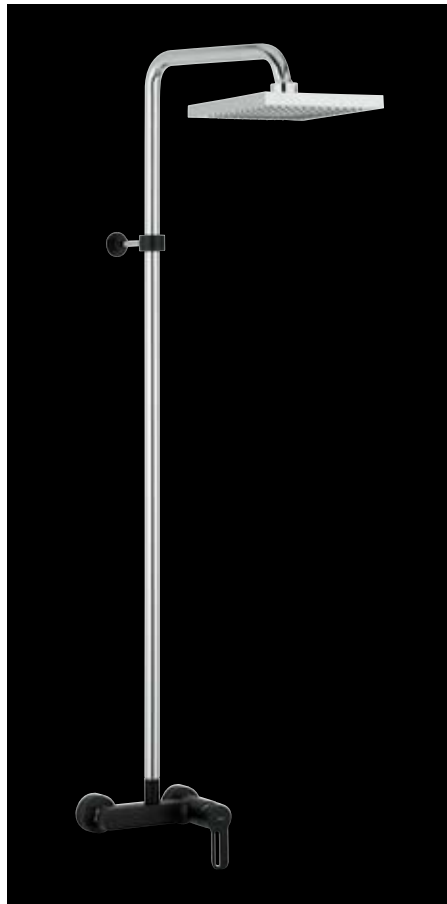
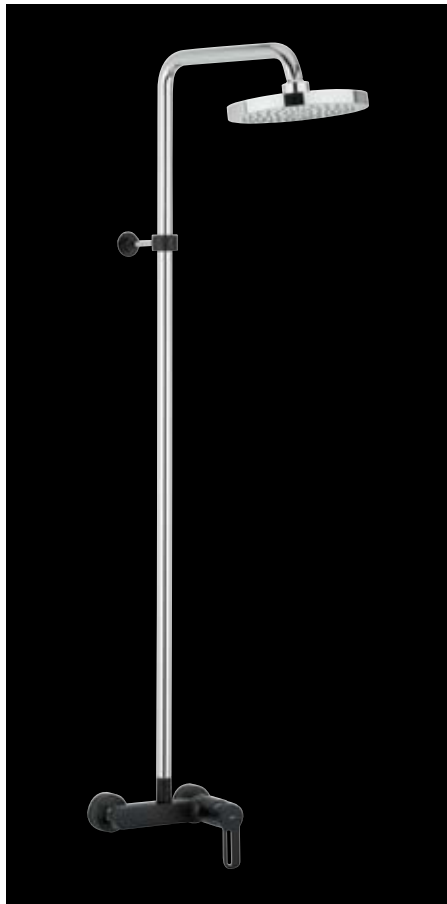
RD00110 NC
External bath / shower mixer, wheelbase 150 \pm 20,
automatic diverter, anti-limestone aerator M 28 x 1,
1-jet hand shower.

RD00100 NC
Built-in shower mixer, automatic diverter.

RD00133 NC
Single lever sink mixer, swivel spout, anti-limestone
aerator M 16 x 1, \varnothing 3/8" stainless steel flexible hoses.

RD00134 NC
Single lever sink mixer, swivel spout, anti-limestone
aerator M 16 x 1, \varnothing 3/8" stainless steel flexible hoses.

RD00137/1 NC
Single lever sink mixer, swivel spout, pull-out
hand-shower, anti-limestone aerator M 22 x 1, \varnothing 3/8"
stainless steel flexible hoses.



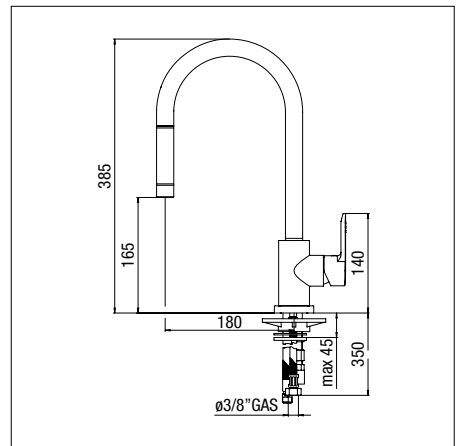
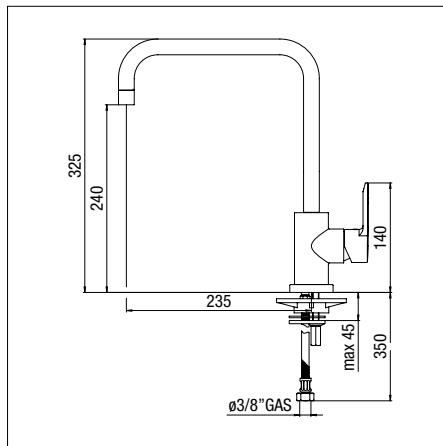
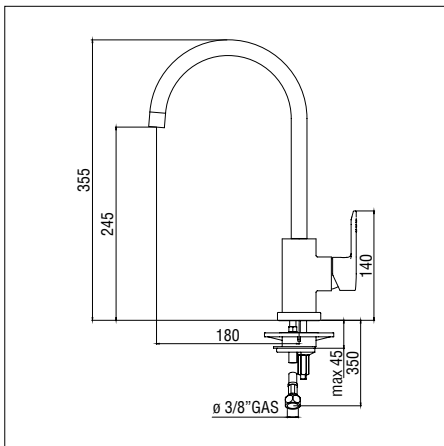
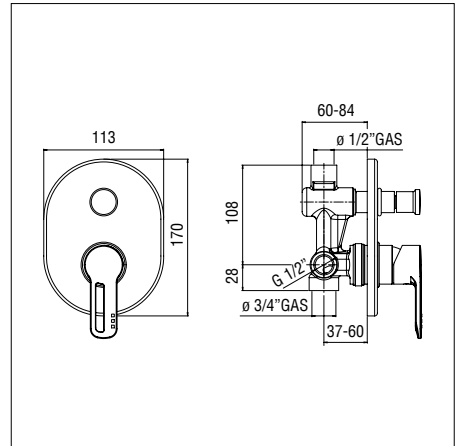
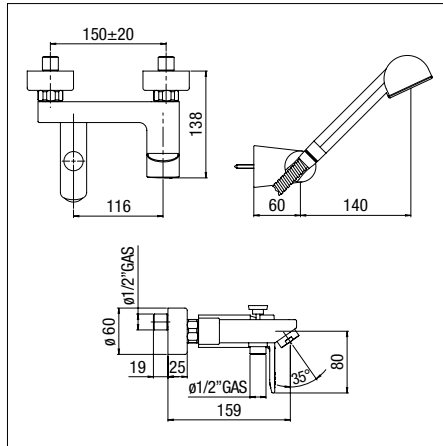
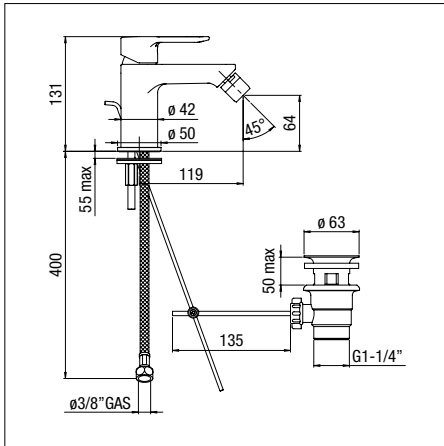
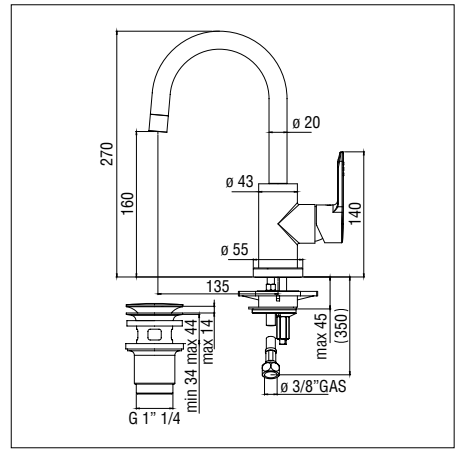
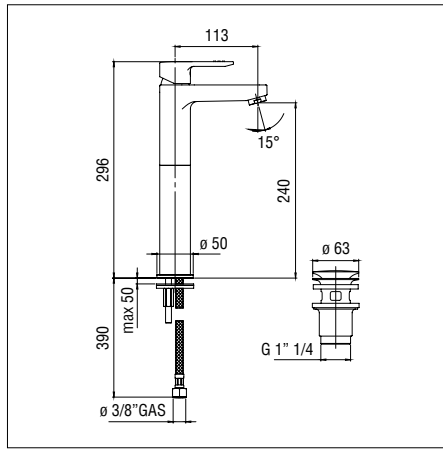
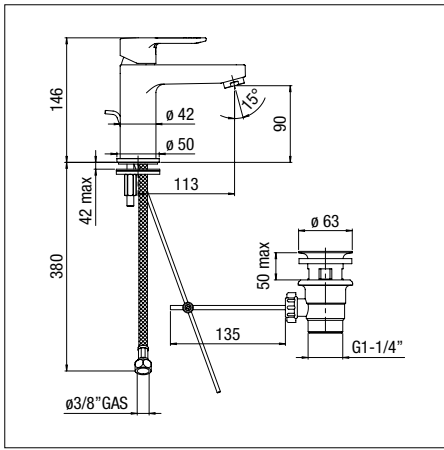
RD00108 NC
Built-in shower mixer.

RD00130 NC
External shower mixer wheelbase 150 ± 20 ,
 $1/2$ "connection.

RD00300/3 NC
Single lever sink mixer, swivel spout, double-jet
adjustable hand shower, $\varnothing 3/8$ " stainless steel
flexible hoses.

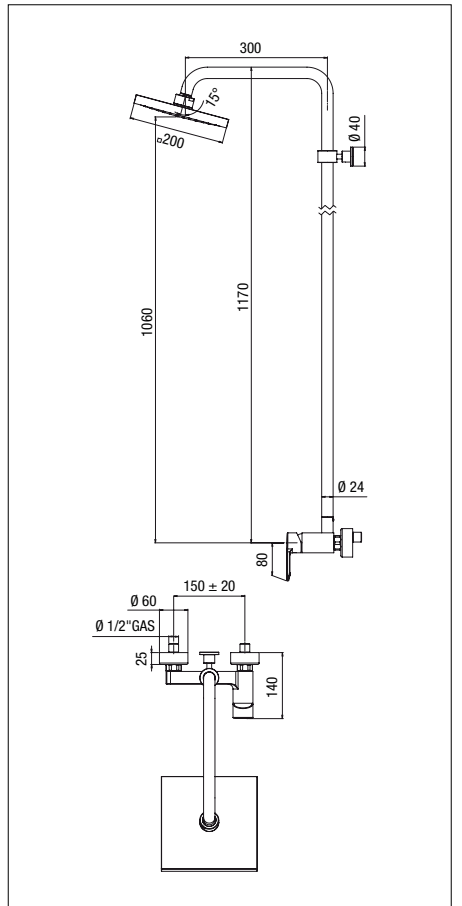
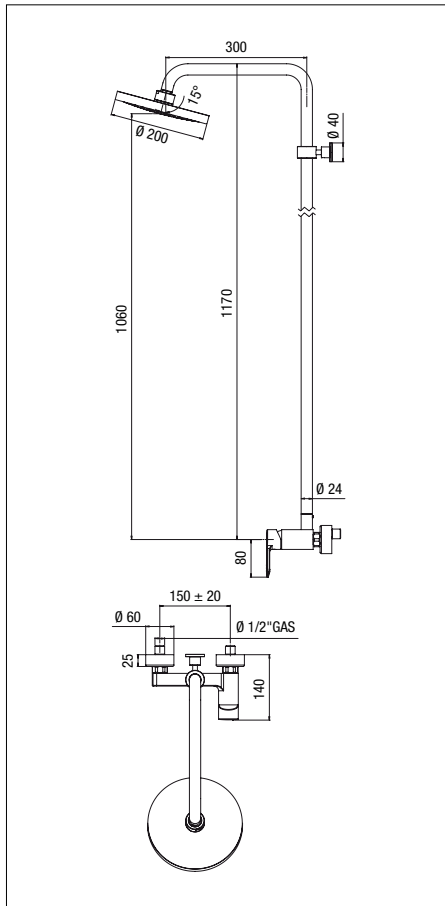
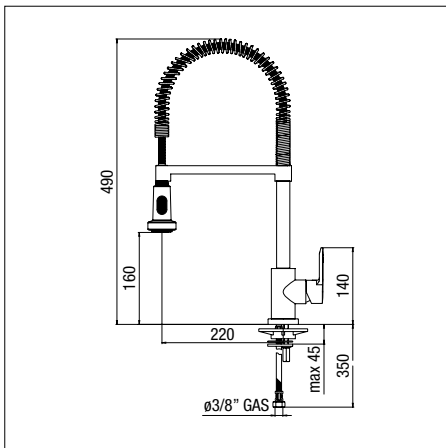
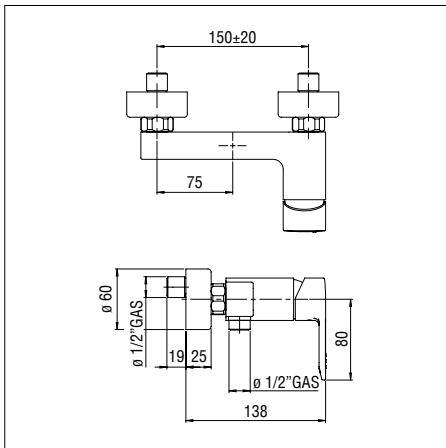
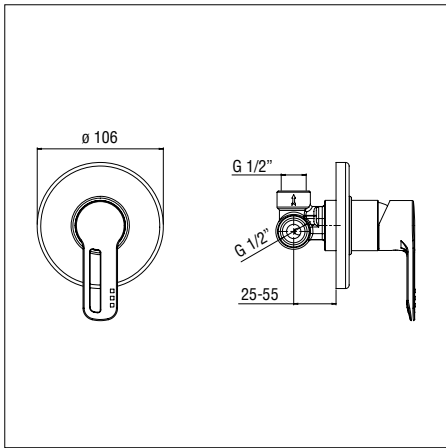
RD00131 NC
Shower column, wheelbase 150 ± 20 , shower head
 $\varnothing 200$ mm.

RD00531 NC
Shower column, wheelbase 150 ± 20 , shower head
 200×200 mm.



- | | | |
|-----------|-----------|-----------|
| RD00118/1 | RD00128/2 | RD00338/2 |
| RD00119/1 | RD00110 | RD00100 |
| RD00133 | RD00134 | RD00137/1 |

Dimensions are expressed in mm.



RD00108 RD00131 RD00531
 RD00130
 RD00300/3

Dimensions are expressed in mm.

- Our mixers have nothing to hide. Nobili Widd® technology (water immersion dry disc) lets water reach the top of the faucet's body, flowing on the outside of the cartridge's profile. This system gives the item a clean a straightforward design. Just notice the spout, coincident with the body. A lower mechanical wear is also guaranteed, since no limestone sediment appears inside the cartridge.
- Nobili is always concentrated in projecting userfriendly items, that respond to the various requirements of the market and reliable in any condition of use. The fact of applying high-quality materials, such as non-toxic plastics, is the result of continuous investments apt to guarantee more safety to you and your family.
- Nobili cartridge is assembled exclusively on Nobili products. The heart of our mixers is homemade, covered by several patents, and makes everybody envious. A spectacular orchestra of perfect mechanisms plays into Nobili branded mixers.
- Our products are amazing. And they will remain amazing over time. The friction system of the cartridge gives longer life to the mixer: it avoids the contact between the ceramic disks while the mixing lever is set in closed position. To conduct the rotation, all you have to do is simply a smooth and fluid movement. Forever.
- Differences can often be noticed by details. The rod of the cartridge is made in metal, not in plastic, and has a greater resistance to sustained efforts. It guarantees top-level precision in the regulation of flow and temperature for water.
- The temperature restrictor, adjustable simply by operating on the cartridge, avoids the excessive consumption of hot water and protects against any eventual danger of getting scalded.
- Valuable element, the Cascade® aerator maintains a full and dense water supply, in every kind of condition. The waste of water can be further minimized by mounting a different aerator which limits the flow-rate up to 9 l / min.
- Listen to the sound of water. It is often an underestimated element, but a distinctive mark for Nobili. The excellent connection of the mechanical parts assures a great acoustic comfort.
- Notice the bright finish of Nobili mixers. Smooth and shiny surfaces are provided by our chrome plating values, decidedly higher with respect to the standard: 15.0 µm Nickel and 0.5 µm Chrome.

Every day, engineers researchers and technicians conceive and test our technology. We imagine the finished product as it was an organism, an harmonious whole of various components. A sound of perfect synchrony. Nothing is left up to fate. Even the smallest and most hidden element is worth our full attention. It is important, whatever its function. Each component is treated in detail by people who love their profession. Different people operate on different parts. Every specific detail must be simple, reliable, beautiful, inside and outside. For these reasons we are sure that Nobili product is extraordinary. Downright.





Established away back in 1954, Carlo Nobili Rubinetterie is today a modern Company with high quality standards, one of a kind among the international taps and mixers producers worldwide, and attentive to the market and the people's needs. The production space consists of three hundred and fifty thousand square meters, fifty thousand indoor, ten production plants, two hundred million euro made in last year's turnover. More than sixty series in the catalogue, all of them conceived and produced in the three hundred in-house machining centers, with the care and the passion reserved for precious items, in full compliance with "Made in Italy". In the world nothing great has been created without passion, the same passion that makes us think about innovation, every day. Eight international patents obtained in the last five years, ten worldwide reputed designers, who cooperate with Nobili Centro Stile. Professionalism, know-how, flexibility and promptness: a quick prototyping center allows us to continuously study new forms and get the most out of the material. Without wastes. The three eco-compatible galvanic system are equipped in compliance with the most restrictive anti-pollution norms. A product that was studied to improve the quality of life cannot exist if it ruins the world we live in. Right and proper. All this is Nobili. Follow us.

Concept, script, art direction: Centro Stile Nobili

Carlo Nobili SpA Rubinetterie
S.S. 229 Km. 19+600, 28019 Suno (No) Italia
T. +39 0322 885885 / F. +39 0322 858091
info@nobili-spa.com / www.nobili-spa.com



Respect the environment. Don't throw me away.
Re-use me or deliver me to a friend.

The images, technical details and characteristics of the models listed in the following brochure are subjected to changes, detailed and substantive, without notice, with the sole aim of further improving the product. Because catalogues are prepared and printed in a certain period of time before the actual distribution of the item, is not always possible to provide detailed descriptions of specific details. You should always check the technical details before purchasing, especially if the choice depends significantly from any of the techniques shown here.

NOBILIS  [®]
The Best Technology for Water

